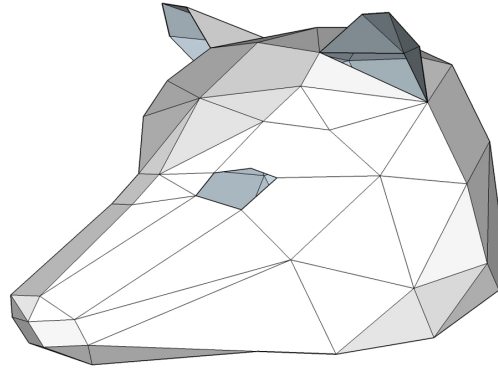




WINTERCROFT



Badger Mask

Designed by Steve Wintercroft

Materials required

- Access to a printer and 13 sheets of A4 paper or US Letter paper.
- Thin card, the type used in cereal boxes is ideal. Thicker card like corrugated card will not bend to the detailed folds. The approximate area of flat card that you need is around 10 sheets of A3 card.
- Spray mount, Pritt stick, PVA or something that will stick paper to card.
- Scissors and a craft knife.
- Straight forward sticky tape, you can use basic cheap tape but I've found that Scotch Magic invisible tape gives a neater finish.
- Some spare time – approximately 4 to 6 hours.

Printing instructions

- The templates are 1:1 scale and are intended to be printed at ACTUAL SIZE on either A4 paper (210mm X 297mm) or US Letter paper (8½" X 11"). In your printer setting please select the type of paper that you are printing on but DO NOT SCALE THE TEMPLATES TO FIT THE PAPER.
- I have included a 150mm line on the first page of the templates so that you can check the scale. The line should measure 150mm after printing but plus or minus 2mm is acceptable. There is more information on printing the templates in our FAQ section of the website.

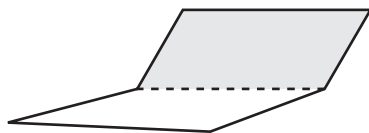


WINTERCROFT

Instructions for assembly

Cutting and Folding

1. Having printed the templates on paper, trim them roughly to the approximate size, they don't have to be neat. Trimming off the excess paper makes it easier to arrange the templates on the card.
2. If you are working with reclaimed card unfold your boxes so that you have flat sheets to work with, then glue the templates to the card. When you assemble your mask your templates will be on the inside faces of the mask. First choice for gluing the templates would be Spray Mount. It's available from most art shops but can be expensive. A glue stick is a cheaper alternative and also works really well. Make sure that the templates are well bonded to the card.
3. Cut out the pieces along the solid outlines. Cut the solid outlines only, not the dashes.
4. The fold lines on the templates are marked as either a dashed line representing a valley fold or dashes with dots to represent a mountain fold. This is with the templates on the inside of the mask.
5. Score all of the folds marked on templates with something blunt like an old biro. Score and fold all of your parts.



Dashed line represents a valley fold.



Dashed line with dots represents a mountain fold.



WINTERCROFT

Assembly

6. Start with any edge on any part and find the neighbouring part with matching numbers. Tape together the edges with corresponding numbers for example number 14 joins to number 14. Taping on the outside makes things easier for most parts but if you come to a part that is difficult to tape outside, try taping inside the mask. If a join feels like it is under stress, tape it inside and out to reinforce it.
7. Once you have built the mask, make the head band following the instructions on the final page and tape it to the inside of the mask. You might need to adjust the band forward or back to get the best fit.
8. You can paint or decorate your mask in any way that you like. Have a look at our website or Facebook page for inspiration. Please share photos of your creations on our facebook page.

Tag your photos with the hashtags **#wintercroft** and **wc-badger** to share them with our community.

If you run in to any problems or have any questions please check the frequently asked questions on:

www.wintercroft.com

If you still can't find the answer to your questions, then please send me a message to the address in the contacts below.

Please note

These designs are copyrighted and are intended for your own personal use only. Please use this file to make as many masks as you like for yourself.

Please don't share or steal the templates, there was a lot of work involved in creating them. If you want to use them for any other reason then please get in touch. Selling items made from our templates is prohibited.

THESE MASKS ARE A PERSONAL CRAFT PROJECT, PLEASE DO NOT USE THEM FOR PROFIT.

Contact us

I would love to see your finished creations, please share them on my Facebook page:

www.facebook.com/wintercroftmasks

or use the Instagram handle:

@wintercroft



Many thanks and have fun,
Steve

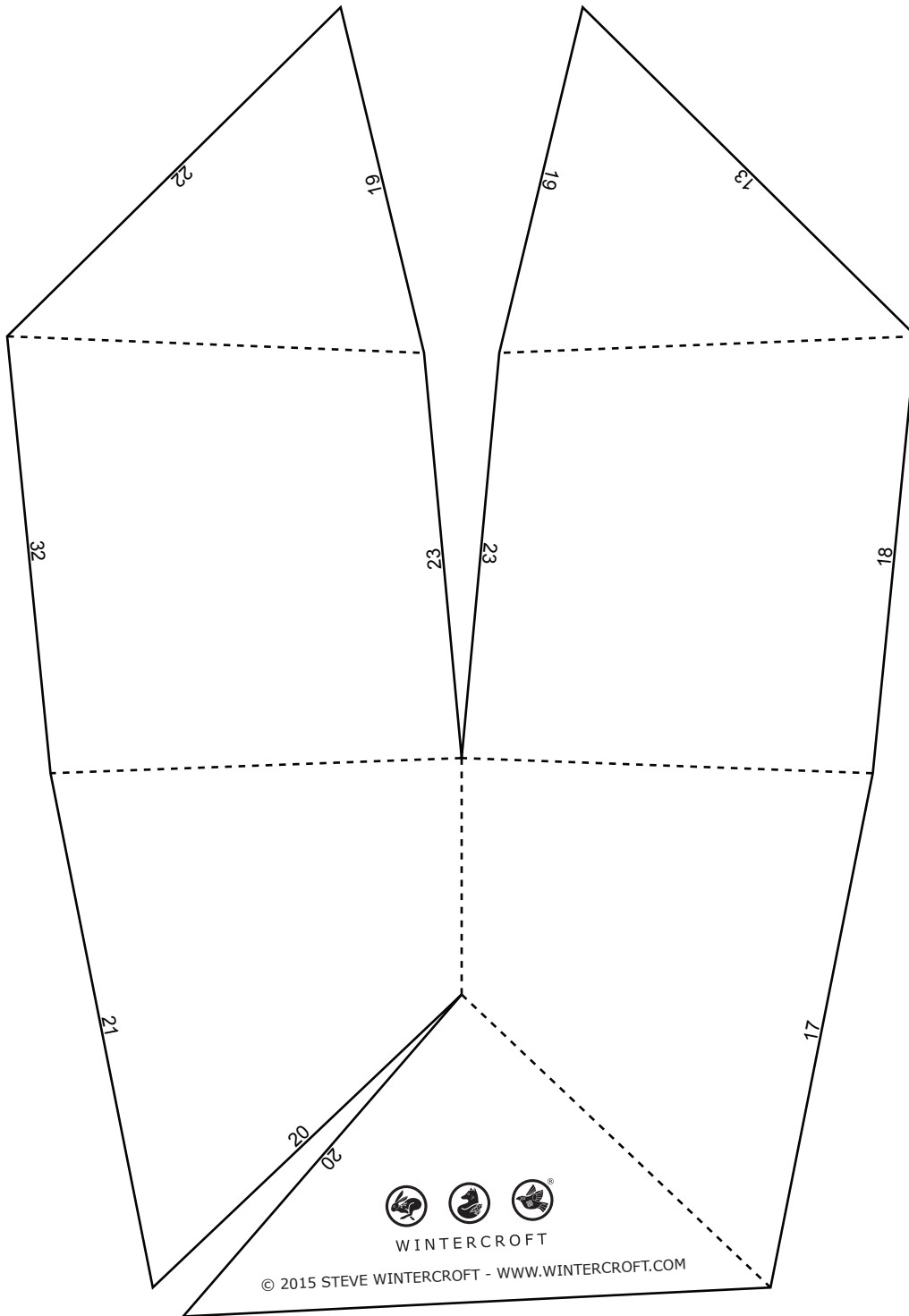
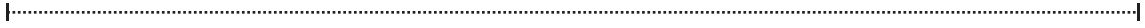
info@wintercroft.com

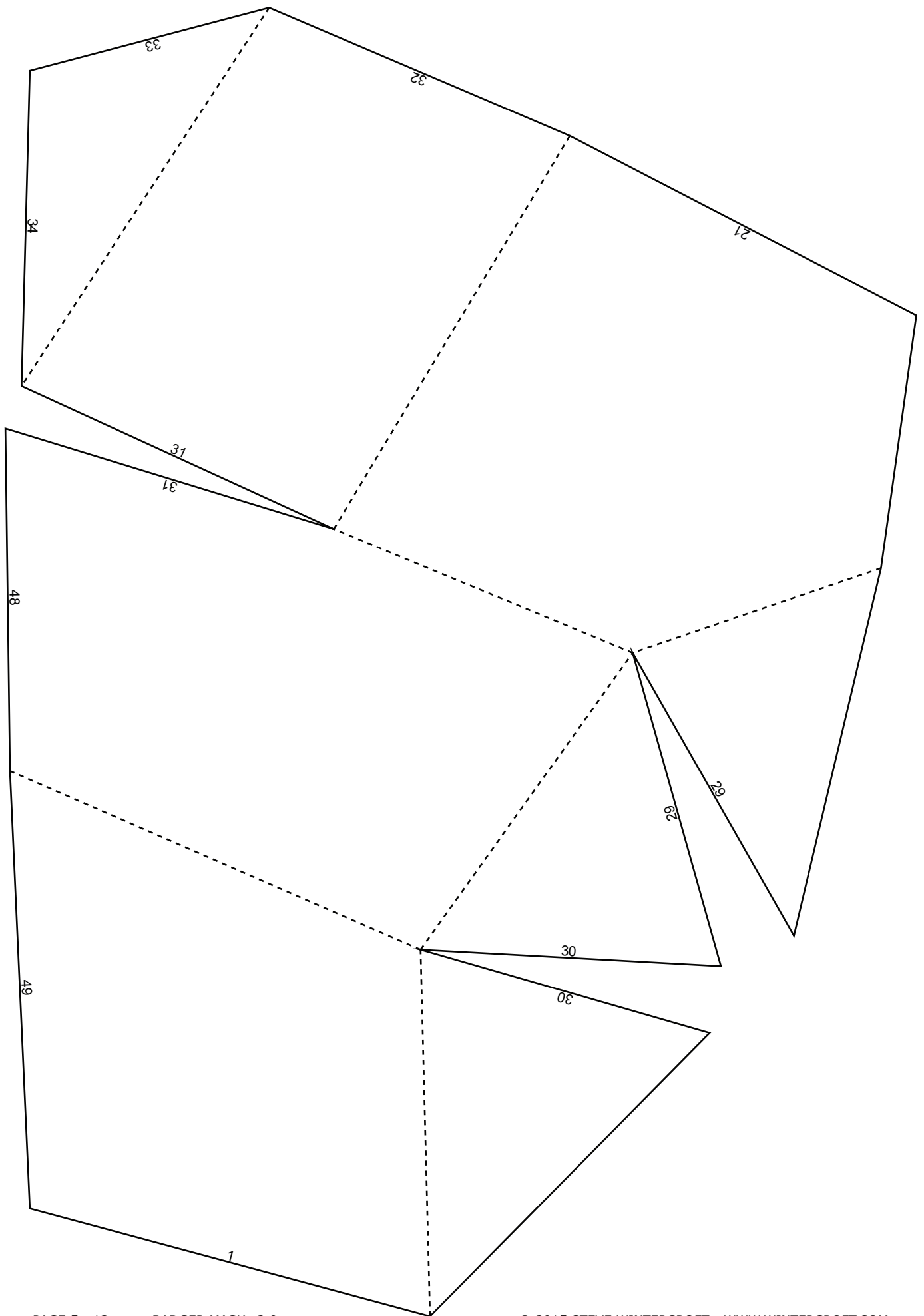


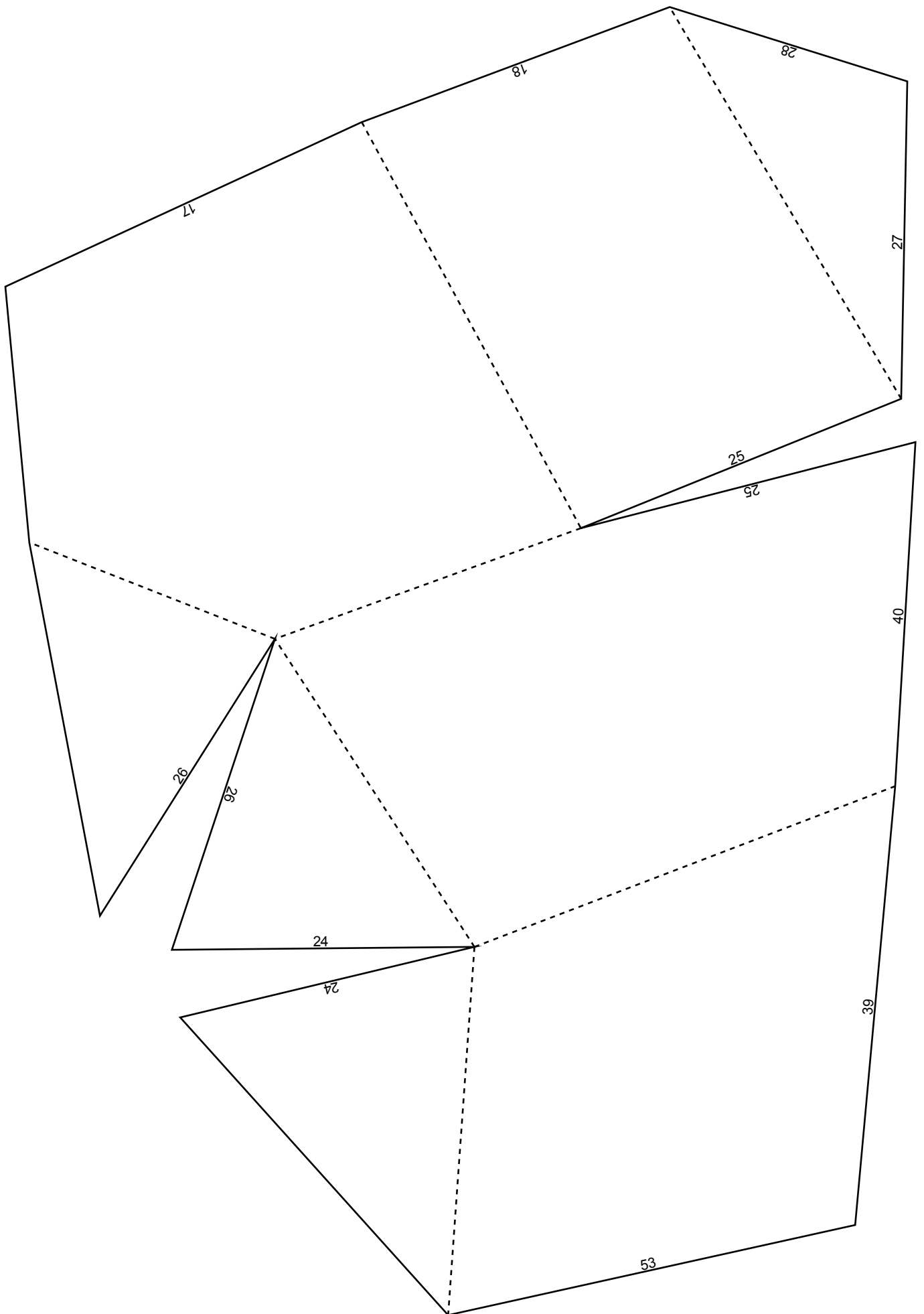
WINTERCROFT

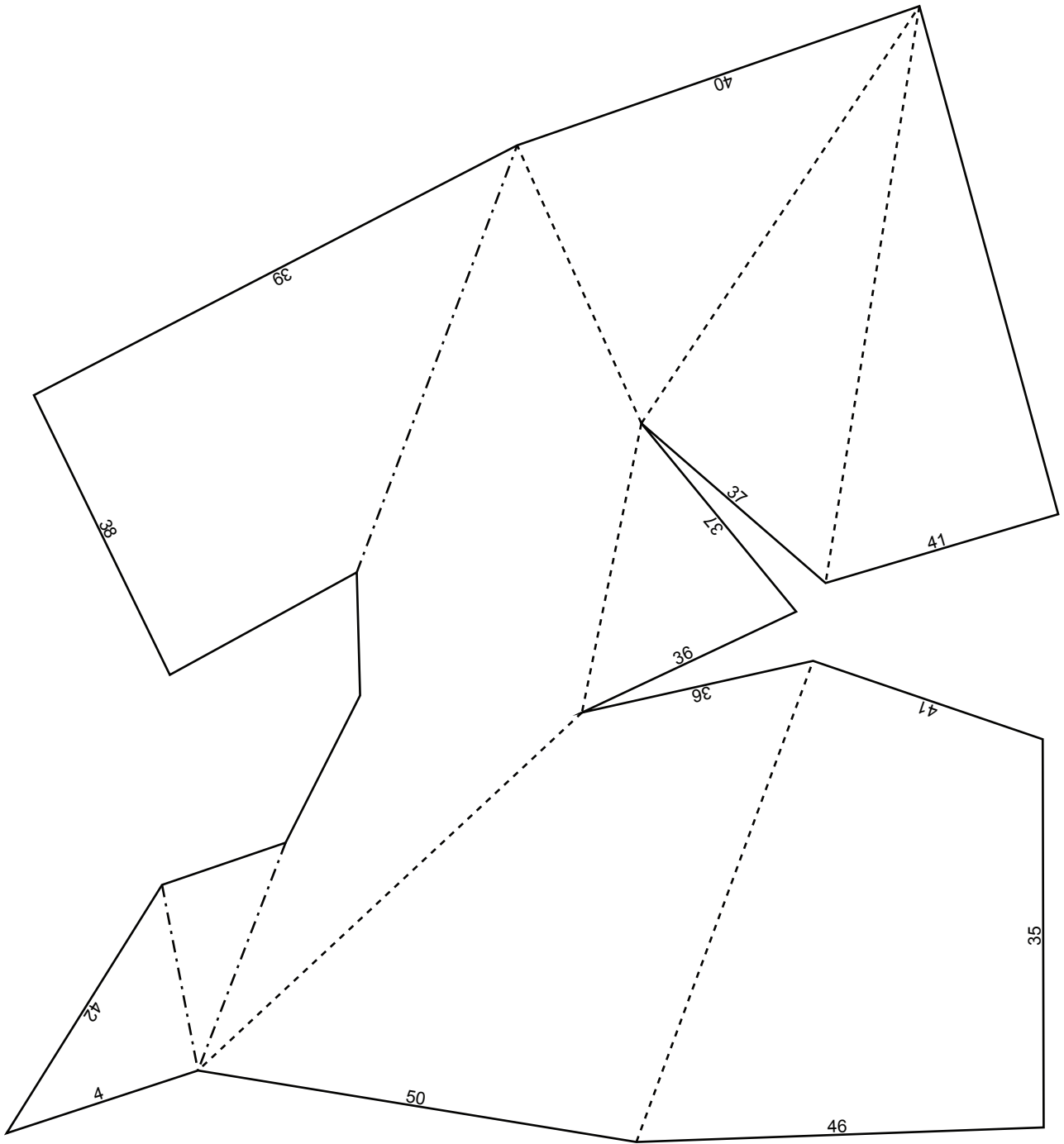
Scale Guideline

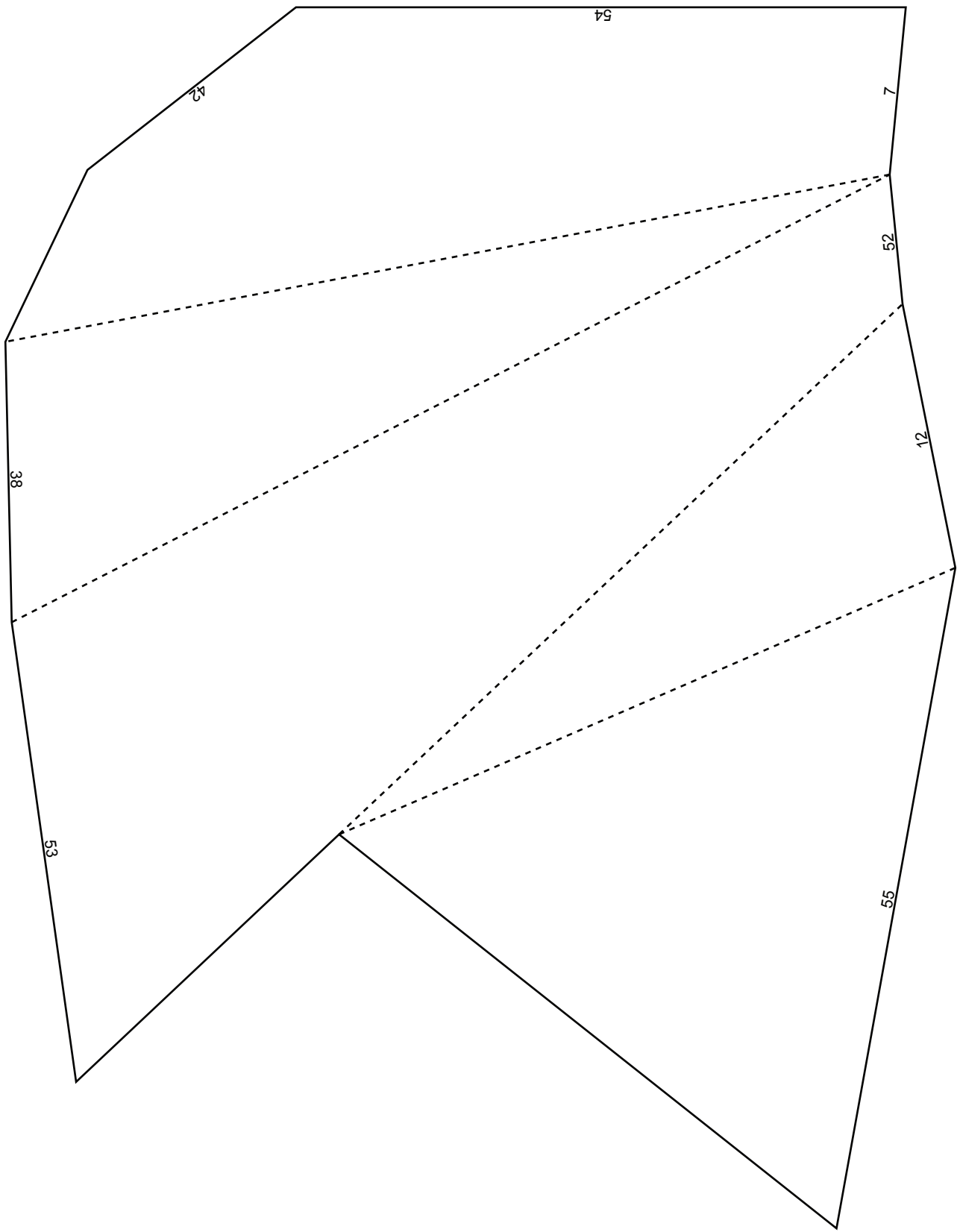
To check the scale is correct, the line below should be 150mm from end to end.

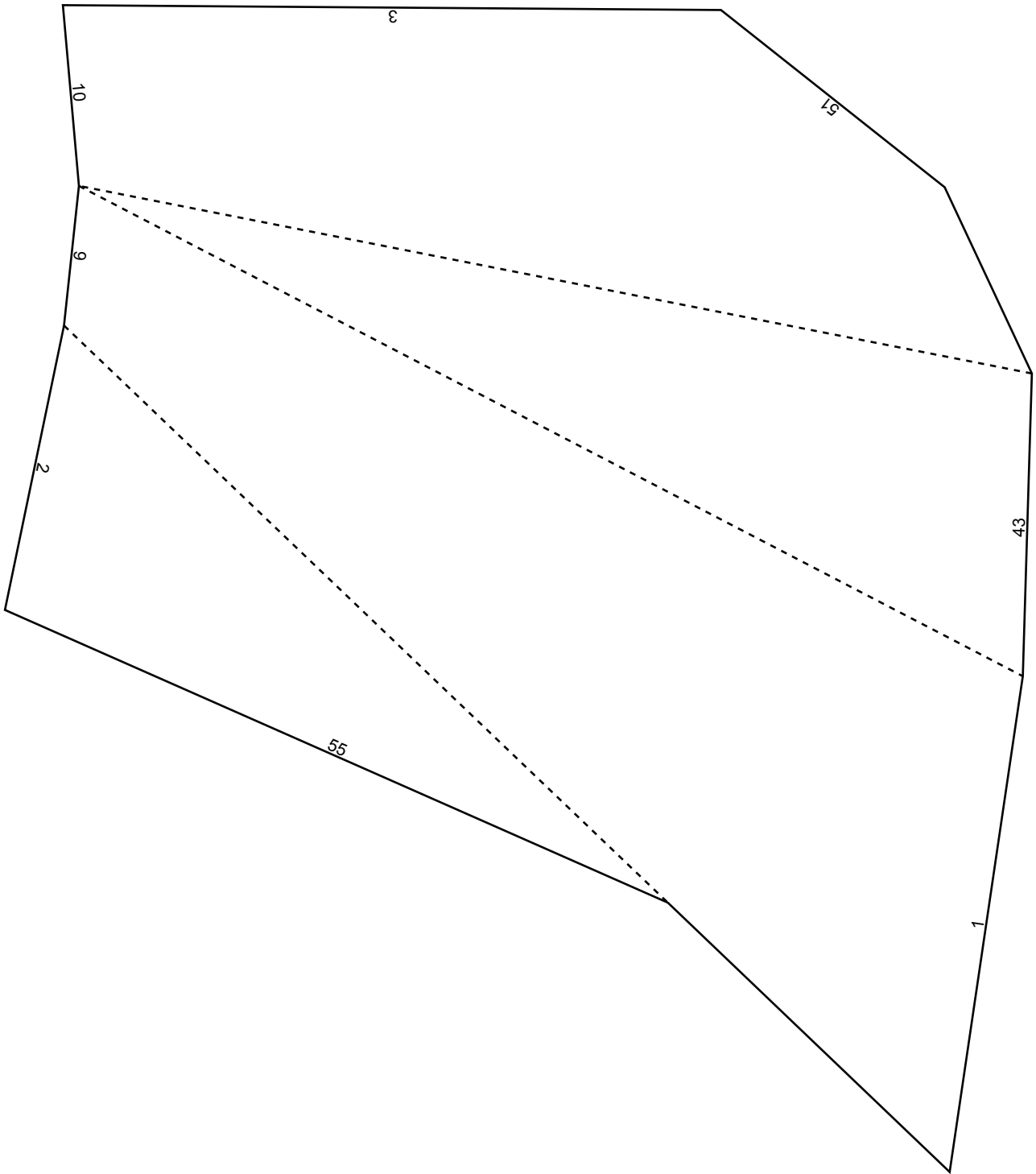


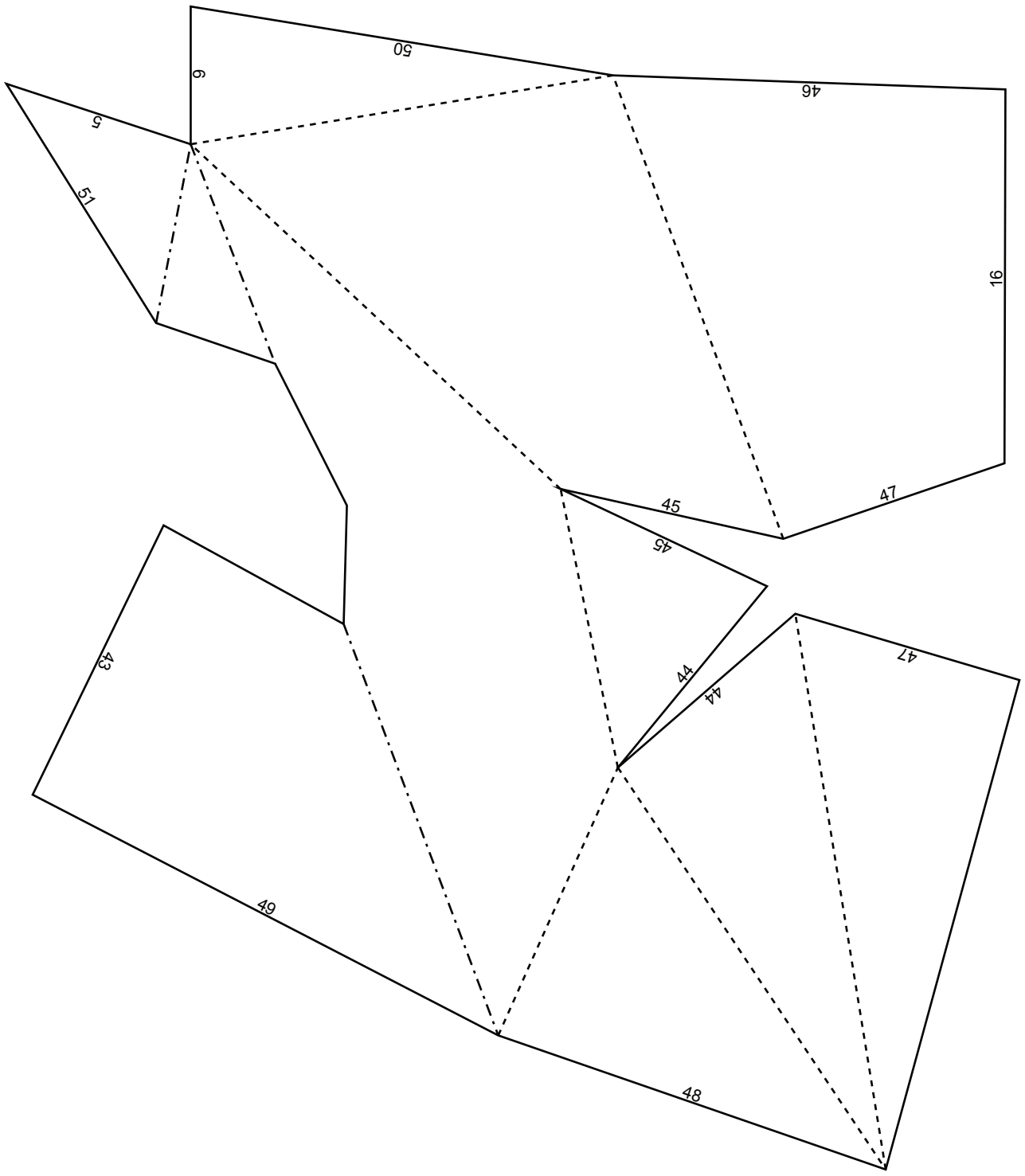


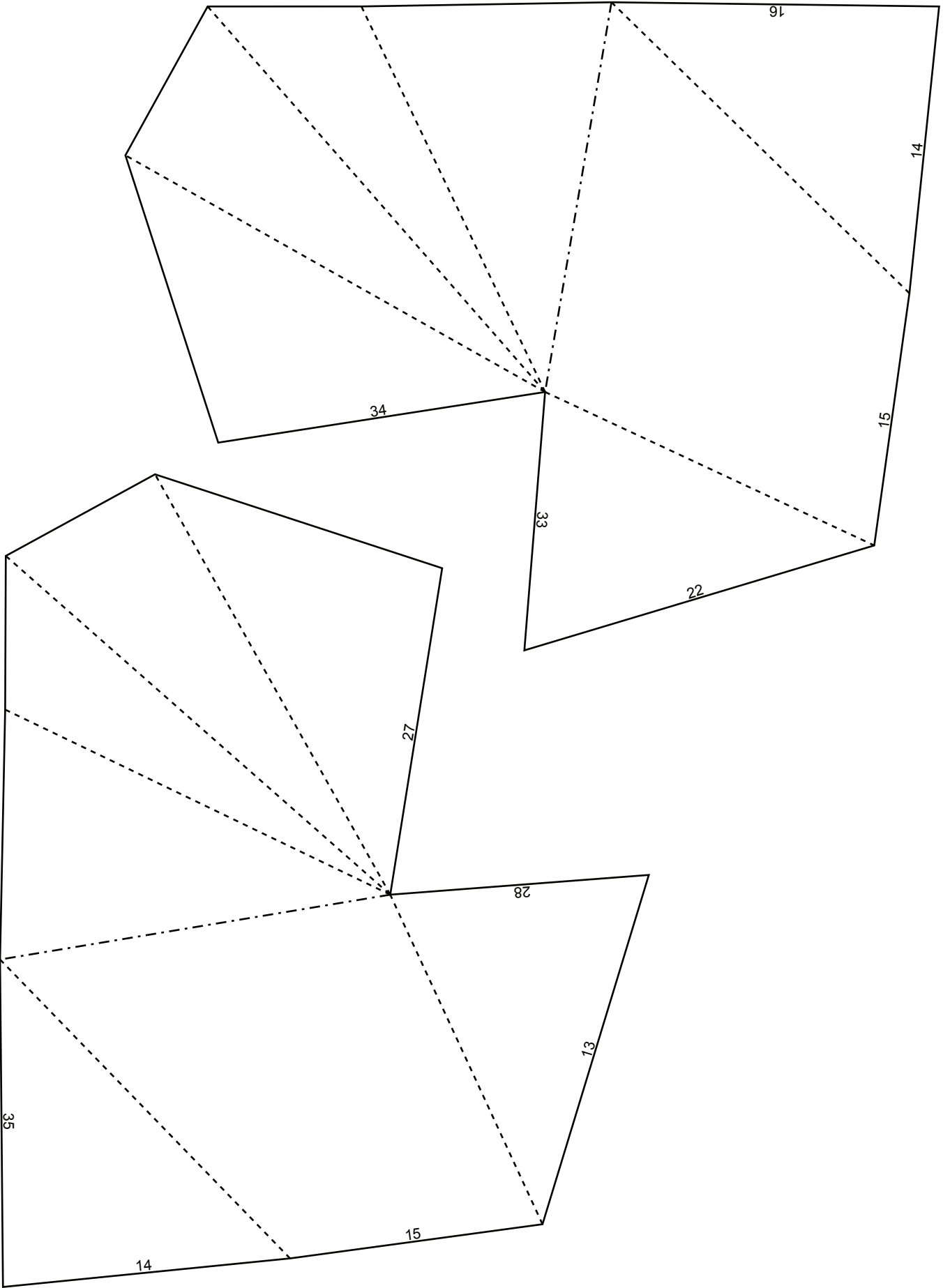


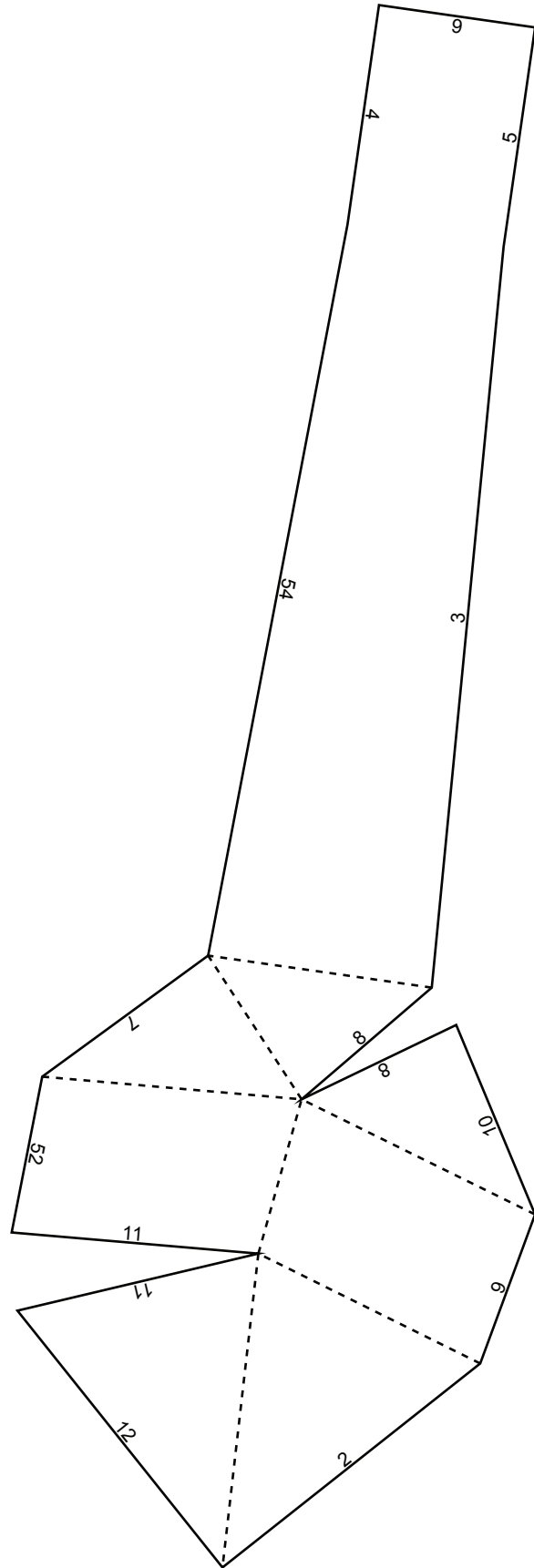














WINTERCROFT

Head Band

To ensure the completed mask fits well you can make a head band and fit it inside of the mask.

Instructions for assembly

1. Cut two strips of card to roughly the dimensions below and the tape one end together.
2. Then wrap the band around your head and tape the other end to get a good fit. The band should be snug but not tight.
3. Take the band off your head and tape the tabs to the inside of the mask.
4. You might need to move the tabs around a little until you get it fitting right.

NOT TO SCALE

400mm



Cut two pieces of card at these dimensions

60mm

40mm

Tape to the inside of the mask here

Tape together here

Tape to the inside of the mask here

Tape together here

